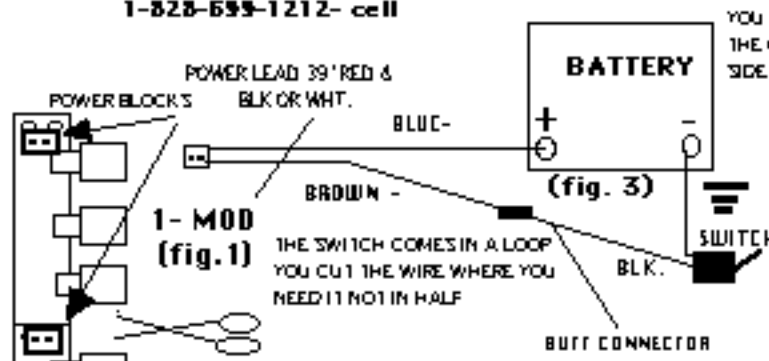


11 Richard St.
Asheville, NC. 28806
www.glawjak.com
d.neon@glawjak.com
1-828-259-3663
1-828-225-6669 fax
1-828-699-1212 cell

INSTALLATION IS AND QUICK AND EASY IF YOU FOLLOW THE INSTRUCTIONS. IF YOU MODIFY THE SET-UP YOU MAY NOT GET THE SAME RESULTS. BE SURE THAT YOU INSULATE ALL CONNECTIONS AND WIRE CORRECTLY. IF YOU WISH TO CHANGE THIS CONFIGURATION. CALL FOR POSSIBLE CHANGE.



YOU CAN DRILL & MOUNT THE SWITCH ON THE COIL COVER IF IT IS GROUNDED OR IN SIDE COVER AND RUN IT TO -G

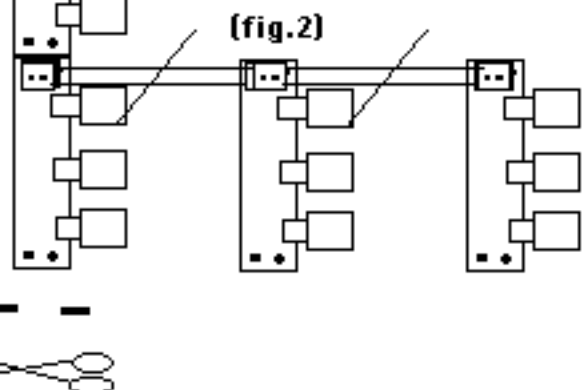
- KIT LSF 101 INCLUDES**
- 2-14" LFS STRIPS
 - 1-7" LFS STRIP
 - 1-SWITCH WITH WIRE
 - 2-BATTERY TERMINALS
 - 1-RED BUTT CONNECTOR
 - 2-POWER LEADS
 - 1-4" JUMPER
 - 1-9" JUMPER
 - 1-12" JUMPER
 - 1-18" JUMPER
 - HEATSHRINK
 - TEC-FLEX WIRE WRAP
 - AND OPT/REMOTE

1. DISCONNECT THE GROUND WIRE ON BATTERY-
2. CLEAN THE BIKE WHERE THE FUSION STRIPS ARE GOING
FLEXI-LAZER FUSION STRIPS ARE EASY TO INSTALL WIRING COLOR CODED POSITIVE. KIT IS COMPLETE WITH SWITCH AND ALL CONNECTORS. EASY 3M DOUBLE STICK TAPE AND OF COURSE OUR LIFETIME WARRANTY. YOU CAN USE THE STRIPS IN EITHER DIRECTION THE CAN BE CUT INTO SMALLER LIGHTS (3-mods) BY USING A SCISSORS ON THE LINE DRAWN (fig.1)

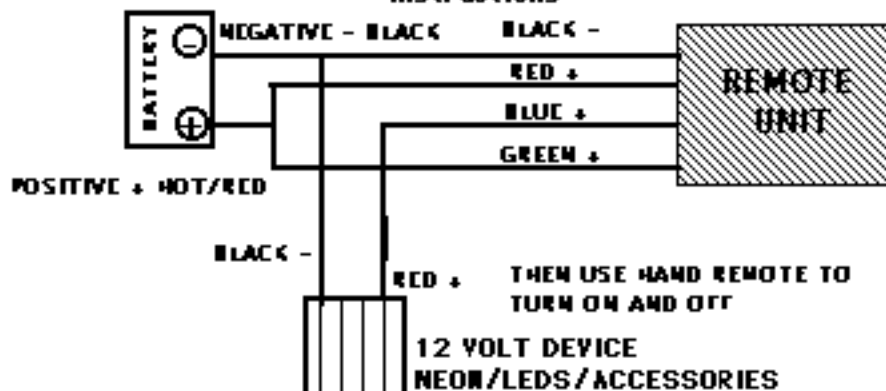
DO NOT CUT ANY WHERE ELSE BY INSERTING THE ONE POWER LEAD RED/WHITE INTO THE STRIP, IT WILL LIGHT THE ENTIRE STRIP IF YOU WANT TO ADD OR SUBTRACT 3 MODS YOU CUT AND ADD A JUMPER LEAD FROM ONE POWER BLOCK TO THE NEXT (fig. 2) NO OTHER POWER LEAD IS NEEDED JUST THE JUMPER BLUE (+) GOING TO BATTERY AND THE BROWN WIRE IS GROUND(-) GOING TO SWITCH (fig. 3), AFTER CLEANING PLACE STRIP WITH JUMPER LEAD TO TANK, BOX, AIR CLEANER, HORN (ETC.) AND PEEL BACK THE RED COVER ON 3M TAPE. WE DO NOT USE A PROMOTER WHICH MAKES IT IMPOSSIBLE TO REMOVE THE STRIP. A DAB OF SILICONE ON THE STRIP WILL KEEP IT IN PLACE, BECAUSE MISTAKES HAPPEN, YOU SHOULD BE ABLE TO REMOVE YOUR STRIP NOT HAVE TO PURCHASE ANOTHER ONE. SO GOING FROM ONE STRIP TO A MOD YOU JUST CLICK TOGETHER A STRING YOU CAN USE OUR WIRELESS REMOTE (WR-101) IN PLACE OF THE SWITCH. IF YOU WISH TO SOLDER LEADS INSTEAD OF JUMPERS THE BOTTOM OF THE SCISSORS IS ALWAYS POSITIVE

WHEN DONE, RECONNECT THE GROUND AND ENJOY. MORE STRIPS ARE AVAILABLE FROM US OR YOUR DEALER.

(fig.2)



Dr. Neon's - Wireless Remote Control 12 VOLT REMOTE ON/OFF Instructions



THEN USE HAND REMOTE TO TURN ON AND OFF

12 VOLT DEVICE
NEON/LEDS/ACCESSORIES